



healthtec

Supporting you

1300 362 923

www.healthtec.com.au

SPECIALTY

Procedure Chair with Memory

Blending beauty and functionality the Evolution Procedure Chair is perfect for use in multi-function rooms, Medi-Spas and for Podiatry work

The perfect choice to maximise treatment space and client comfort the double lifting column allows maximum balance during high pressure procedures.

Key features include the electric operated backrest, lift away and removable arm rests, trendelenburg tilt to create zero gravity and three position memory function allowing you to instantly pre-select the chairs most used positions.



Features

- Electric height adjustment with footswitch
- Column lift eliminating crush points
- Independently lockable castors
- Durable powder coated rust resistant frame
- High quality anti-microbial vinyl & CFC free foam
- 5 year warranty on frame & electrics
- Australian designed & manufactured

Specifications

- 300kg Maximum Lifting Capacity (moving)
- 400kg Maximum Working Load (stationary)
- 470mm Minimum Height
- 870mm Maximum Height
- 650mm Table Width (at widest point)
- Electric backrest adjustment +70°
- Electric Seat Lift +20°
- Manual adjustable leg rest extension -70° (electric upgrade available)
- 1300mm Working heel height
- Lift up/removable armrests
- Headrest Bolster supplied as standard
- Footrest Extension supplied as standard
- 15° Trendelenburg movement



Showing Trendelenburg Movement



The Healthtec Warranty

All Healthtec™ manufactured items are covered for defects in material or workmanship for 5 years from date of purchase. Original suppliers warranty applies.

TGA AR-00106892-6

© October 2013



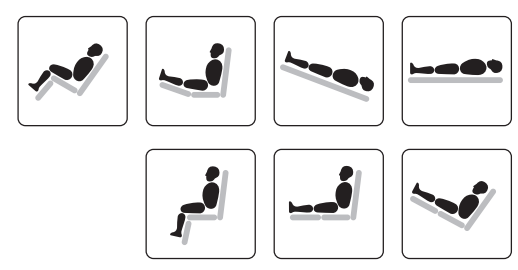
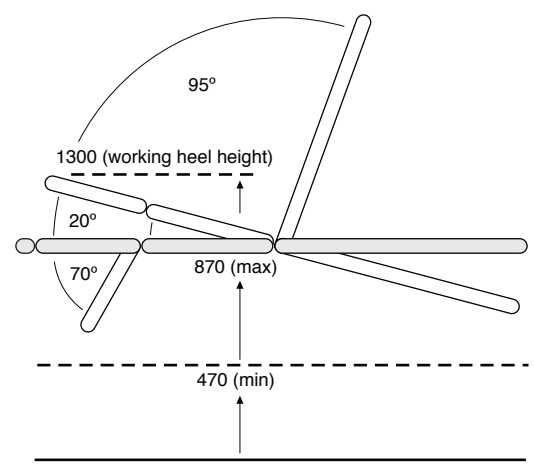
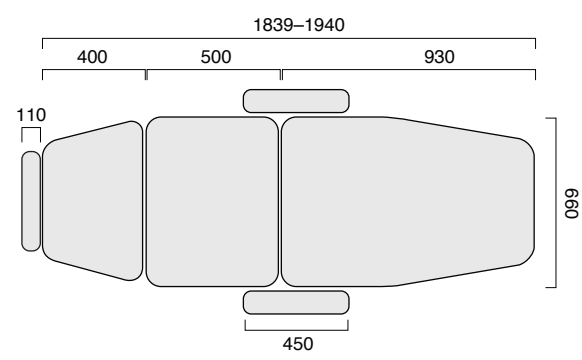
Supporting you

www.healthtec.com.au

PRICE SHEET

Procedure Chair with Memory

	CODE	QTY
Product Description		
Evolution (Column) Procedure Chair with Memory	55371	
Evolution (Column) Procedure Chair with Memory & Electric Foot Rest	55381	
Width & Length Options		
Custom Width Option	6014	
Custom Length Option	6019	
Vinyl Options		
Non-Stock Vinyl Option	6018	
Leather Upgrade	6008	
*please refer to our colour chart for vinyl colour options		
Nose Hole Options		
Nose Hole	6011	
Nose Hole Plug	6010	
Debris Options		
Debris Tray - Podiatry	5108	
Leg Rest Options		
Split Leg Support	6042	
Table Protection		
Paper Towel Roll Holder	6017	
Disposable Fitted Bed Sheet – 10 pack	ANWFIT	
Extended Warranty		
10 years Frame & Electrics	7800	
Freight		
Freight charges are not included in our prices. Please contact your Healthtec representative for freight costs and options.		
Shipping Dimensions	2050mm x 850mm x 650mm	
Shipping Weight	80kg (approximately)	



FRECALL
1300 362 923
 info@healthtec.com.au

Healthtec Pty Ltd ABN 94 224 518 379 TGA AR-00106892-6
 © October 2013

Disclaimer: Due to our policy of constant product improvement, specifications may change without notice. Check with us for the latest specifications and pricing.